

# Platinum Edition 14 Band Saw


(Model 28-255)



DATED 6-10-99

PART NO. 426-02-651-0032  
Delta International Machinery Corp. 1999

INSTRUCTION MANUAL



**DELTA**

# TABLE OF CONTENTS

SAFETY RULES .....	3
ADDITIONAL SAFETY RULES FOR BANDSAWS .....	4
UNPACKING AND CLEANING .....	4
ASSEMBLING THE MOBILE BASE .....	5
Raising And Lowering The Mobile Base .....	6
ASSEMBLING THE BANDSAW .....	6
Assembling Motor To Stand .....	7
Assembling Motor Pulley .....	8
Assembling Band Saw To Stand .....	8
Assembling And Aligning V-Belt; Adjusting Belt Tension .....	8
Assembling Belt And Pulley Guard .....	9
Assembling Switch .....	9
Assembling Rip Fence .....	10
CONNECTING BANDSAW TO POWER SOURCE .....	
Power Connections .....	12
Motor Specifications .....	12
Grounding Instructions .....	13
Extension Cords .....	13
OPERATING CONTROLS AND ADJUSTMENTS .....	
Starting And Stopping The Saw .....	14
Locking The Switch In The OFF Position .....	14
Table Insert .....	14
Tilting The Table .....	15
Adjusting Table Stop .....	15
Adjusting Blade Tension .....	16
Tracking The Blade .....	16
Adjusting Upper Blade Guide Assembly .....	17
Adjusting Upper Blade Guides And Blade Support Bearing .....	17
Adjusting Lower Blade Guides And Blade Support Bearing .....	18
CHANGING THE BLADE .....	18
BANDSAW BLADES .....	18
OPERATING THE BANDSAW .....	19
Cutting Curves .....	19
Resawing .....	19
PARTS, SERVICE AND WARRANTY ASSISTANCE .....	20
WARRANTY .....	20

# SAFETY RULES

Woodworking can be dangerous if safe and proper operating procedures are not followed. As with all machinery, there are certain hazards involved with the operation of the product. Using the machine with respect and caution will considerably lessen the possibility of personal injury. However, if normal safety precautions are overlooked or ignored, personal injury to the operator may result. Safety equipment such as guards, push sticks, hold-downs, featherboards, goggles, dust masks and hearing protection can reduce your potential for injury. But even the best guard won't make up for poor judgment, carelessness or inattention. Always use common sense and exercise caution in the workshop. If a procedure feels dangerous, don't try it. Figure out an alternative procedure that feels safer. REMEMBER: Your personal safety is your responsibility.

This machine was designed for certain applications only. Delta Machinery strongly recommends that this machine not be modified and/or used for any application other than that for which it was designed. If you have any questions relative to a particular application, DO NOT use the machine until you have first contacted Delta to determine if it can or should be performed on the product.

DELTA INTERNATIONAL MACHINERY CORP.  
MANAGER OF TECHNICAL SERVICES  
246 ALPHA DRIVE  
PITTSBURGH, PENNSYLVANIA 15238  
(IN CANADA: 644 IMPERIAL ROAD, GUELPH, ONTARIO N1H 6M7)

## WARNING: FAILURE TO FOLLOW THESE RULES MAY RESULT IN SERIOUS PERSONAL INJURY

1. FOR YOUR OWN SAFETY, READ INSTRUCTION MANUAL BEFORE OPERATING THE TOOL. Learn the tool's application and limitations as well as the specific hazards peculiar to it.

2. KEEP GUARDS IN PLACE and in working order.

3. ALWAYS WEAR EYE PROTECTION.

4. REMOVE ADJUSTING KEYS AND WRENCHES. Form habit of checking to see that keys and adjusting wrenches are removed from tool before turning it on.

5. KEEP WORK AREA CLEAN. Cluttered areas and benches invite accidents.

6. DON'T USE IN DANGEROUS ENVIRONMENT. Don't use power tools in damp or wet locations, or expose them to rain. Keep work area well-lighted.

7. KEEP CHILDREN AND VISITORS AWAY. All children and visitors should be kept a safe distance from work area.

8. MAKE WORKSHOP CHILDPROOF with padlocks, master switches, or by removing starter keys.

9. DON'T FORCE TOOL. It will do the job better and be safer at the rate for which it was designed.

10. USE RIGHT TOOL. Don't force tool or attachment to do a job for which it was not designed.

11. WEAR PROPER APPAREL. No loose clothing, gloves, neckties, rings, bracelets, or other jewelry to get caught in moving parts. Non-slip footwear is recommended. Wear protective hair covering to contain long hair.

12. ALWAYS USE SAFETY GLASSES. Wear safety glasses. Everyday eyeglasses only have impact resistant lenses; they are not safety glasses. Also use face or dust mask if cutting operation is dusty.

13. SECURE WORK. Use clamps or a vise to hold work when practical. It's safer than using your hand and frees both hands to operate tool.

14. DON'T OVERREACH. Keep proper footing and balance at all times.

15. MAINTAIN TOOLS IN TOP CONDITION. Keep tools sharp and clean for best and safest performance. Follow instructions for lubricating and changing accessories.

16. DISCONNECT TOOLS before servicing and when changing accessories such as blades, bits, cutters, etc.

17. USE RECOMMENDED ACCESSORIES. The use of accessories and attachments not recommended by Delta may cause hazards or risk of injury to persons.

18. REDUCE THE RISK OF UNINTENTIONAL STARTING. Make sure switch is in OFF position before plugging in power cord.

19. NEVER STAND ON TOOL. Serious injury could occur if the tool is tipped or if the cutting tool is accidentally contacted.

20. CHECK DAMAGED PARTS. Before further use of the tool, a guard or other part that is damaged should be carefully checked to ensure that it will operate properly and perform its intended function. Check for alignment of moving parts, binding of moving parts, breakage of parts, mounting, and any other conditions that may affect its operation. A guard or other part that is damaged should be properly repaired or replaced.

21. DIRECTION OF FEED. Feed work into a blade or cutter against the direction of rotation of the blade or cutter only.

22. NEVER LEAVE TOOL RUNNING UNATTENDED. TURN POWER OFF. Don't leave tool until it comes to a complete stop.

23. DRUGS, ALCOHOL, MEDICATION. Do not operate tool while under the influence of drugs, alcohol or any medication.

24. MAKE SURE TOOL IS DISCONNECTED FROM POWER SUPPLY while motor is being mounted, connected or re-connected.

25. WARNING: The dust generated by certain woods and wood products can be injurious to your health. Always operate machinery in well ventilated areas and provide for proper dust removal. Use wood dust collection systems whenever possible.

# ADDITIONAL SAFETY RULES FOR BAND SAWS

1. ADJUST the upper blade guide about 1/8" above the material being cut.
2. MAKE SURE that blade tension and blade tracking are properly adjusted.
3. STOP the machine and wait for the blade to come to a complete stop before removing scrap pieces from the table.
4. ALWAYS keep hands and fingers away from blade.
5. CHECK for proper blade size and type.
6. DO NOT attempt to saw stock that does not have a flat surface, unless a suitable support is used.
7. HOLD material firmly and feed into blade at a moderate speed.
8. TURN OFF machine if the material is to be backed out of an uncompleted cut.
9. MAKE release cuts before cutting long curves.
10. ADDITIONAL INFORMATION regarding the safe and proper operation of this product is available from the National Safety Council, 1121 Spring Lake Drive, Itasca, IL 60143-3201 in the Accident Prevention Manual for Industrial Operations and also in the Safety Data Sheets provided by the NSC. Please also refer to the American National Standards Institute ANSI O1.1 Safety Requirements for Woodworking Machinery and the U.S. Department of Labor OSHA 1910.213 Regulations.
11. SAVE THESE INSTRUCTIONS. Refer to them frequently.

## UNPACKING AND CLEANING

Carefully unpack the band saw, stand, mobile base, and 12" capacity rip fence from the shipping containers. Remove the protective coating from the machined surfaces of the band saw. This coating may be removed with a soft cloth moistened with kerosene (DO NOT use acetone, gasoline or lacquer thinner for this purpose). After cleaning, cover all unpainted surfaces with a good quality paste wax. Fig. 2, illustrates the components of the mobile base. Fig. 3, illustrates the components of the rip fence.

1. Mobile base
2. 5/16-18 x 4" hex head screw
3. 5/16-18 locknut
4. 5/16 hex nuts (2)
5. Flat washers (4)
6. 5/16 x 1-1/2 hex head screws (2)
7. Bolt-on foot lever assembly
8. Caster assembly

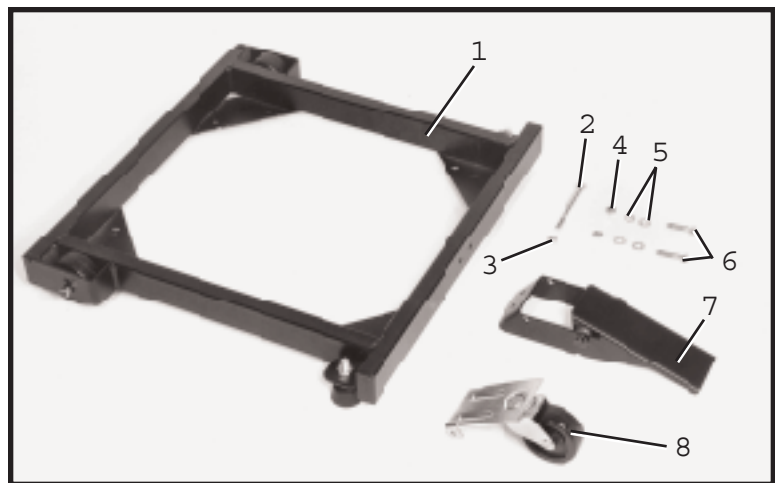


Fig. 2

1. 1/4-28 x 1" hex socket head screw (2)
2. 1/4-28 x 1-1/4" hex socket head screw (2)
3. Spacer (2)
4. Hand knob (For resawing operations)
5. 1/4-20 x 2" Round head screw (For resawing operations)
6. Guide post (For resawing operations)
7. Rear rail
8. Front guide rail
9. Fence assembly

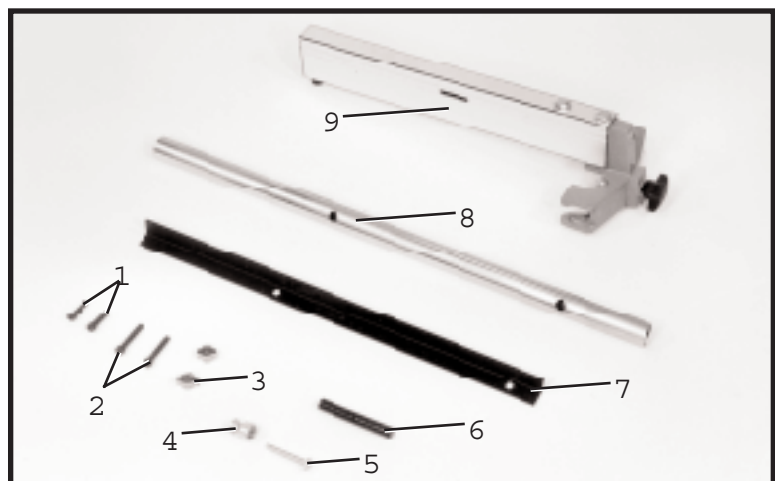


Fig. 3

# ASSEMBLING THE MOBILE BASE

The mobile base is constructed of heavy gage steel with welded joints and features a bolt-on foot lever assembly, single swivel caster, and rigid wheels. Two adjustable foot pads opposite the rigid wheels assure stable four-corner contact when the base is lowered. A convenient foot-operated control lever raises and lowers the base for easy movement for cleaning and repositioning.

1. Assemble foot lever assembly (A) Fig. 4, to the outside of mobile base (B) with two 1-1/2 inch-long hex head screws (C), four flat washers (D), and two hex nuts (E).

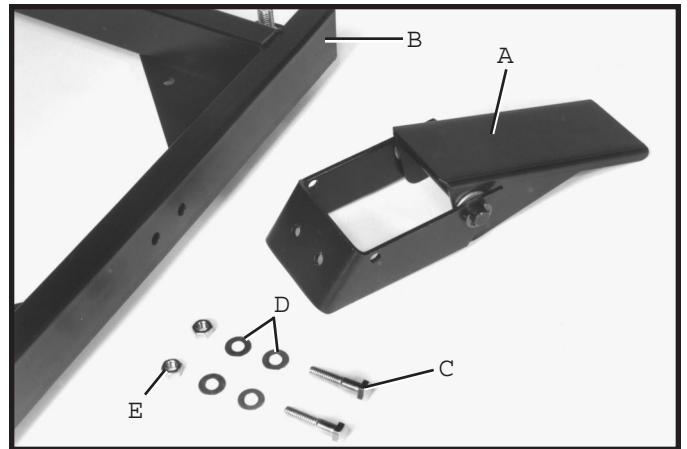


Fig. 4

2. Assemble caster assembly (F) Fig. 5, to mobile base bracket (G) using the four inch-long screw (H) through two holes (J) in mobile base bracket (G) and two holes in caster assembly (F). Fasten in place using locknut (K).

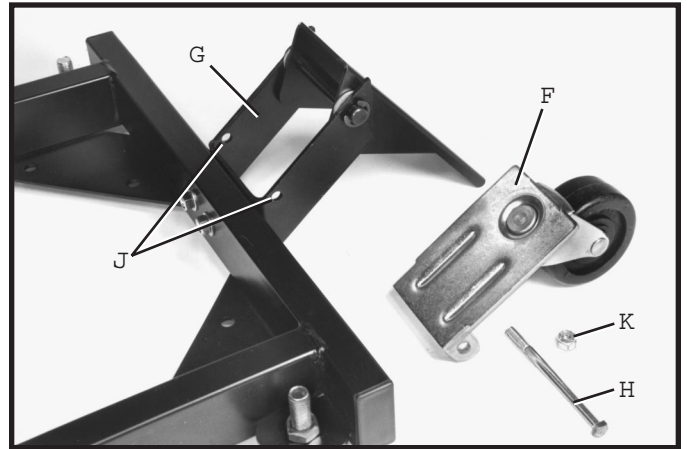


Fig. 5

3. Fig. 6, illustrates the caster assembly (F) and foot lever assembly (A) fastened to the mobile base (B).

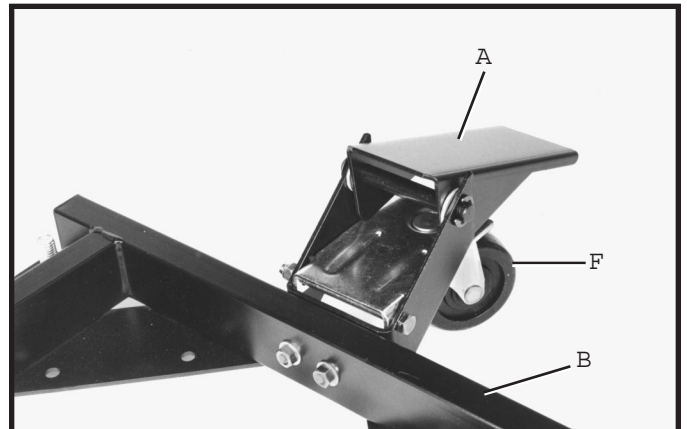


Fig. 6

4. With the foot lever (A) Fig. 7, in the raised position as shown, the mobile base should be level with the floor surface and the two rubber feet, one of which is shown at (L), should contact the floor surface. To adjust the rubber feet, tighten and loosen the hex nut, which is shown at (M) and the nut which is located directly above the rubber feet.

5. IMPORTANT: WHEN PLACING THE MACHINE ON THE MOBILE BASE, MAKE CERTAIN FOOT LEVER (A) FIG. 7, IS IN THE RAISED POSITION AS SHOWN TO AVOID MOVEMENT OF THE MOBILE BASE.

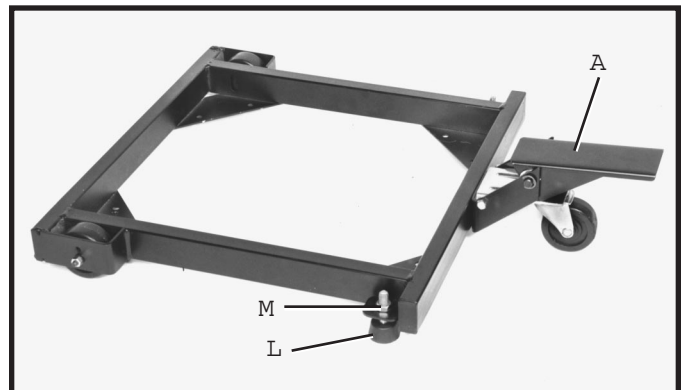


Fig. 7

## RAISING AND LOWERING THE MOBILE BASE

1. To raise the mobile base (B) Fig. 8, and allow movement to a new location, push foot lever (A) downward until the foot lever locks into position.
2. To lower the mobile base (B) Fig. 8, so it is supported by the floor surface, flip foot lever (A) upward.
3. IMPORTANT: TO AVOID PERSONAL INJURY, ALWAYS OPERATE THE MACHINE WITH THE FOOT LEVER (A) IN THE RAISED POSITION AS SHOWN IN FIG.5.

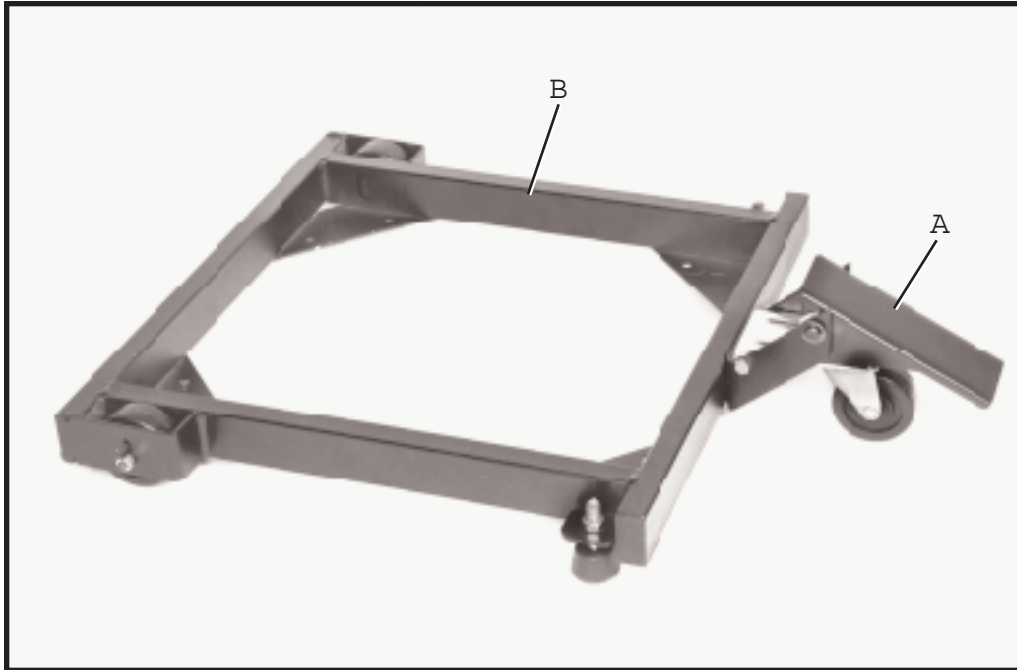


Fig. 8

---

## ASSEMBLING THE BAND SAW

The stand is shipped top down inside the shipping container with the motor mounted to the inside top of the stand. The on/off switch is wired to the end of the power cord.

The motor must be removed from the inside top of the stand and reassembled to the horizontal mounting bars inside the stand as follows:

1. Remove the stand (A) Fig. 9, from the shipping container being careful not to crimp the switch cord which extends through the top of the stand. NOTE: Set the stand on several blocks of wood to raise the stand off the floor surface.
2. Remove panel (B) Fig. 9, from stand (A) by removing two screws (C) and loosening two screws (D). Remove panel on opposite side of stand in the same manner.

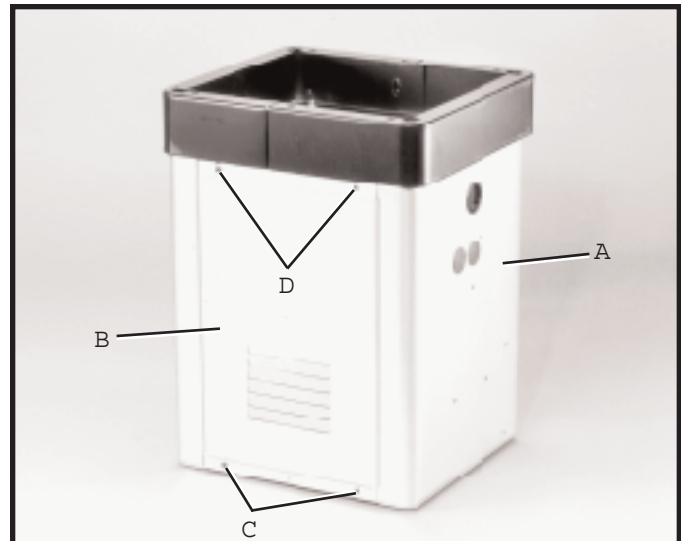


Fig. 9

3. Remove two mounting screws, one of which is shown at (E) Fig. 10, that are holding motor (F) to the top of stand (A). IMPORTANT: DONOT REMOVE CABLE TIE (G) THAT IS HOLDING SWITCH CORD (H) TO VERTICAL MOUNTING BAR (J), UNLESS YOU ARE USING THE ACCESSORY 28-984 HEIGHT ATTACHMENT ON THE BAND SAW .THIS CABLE TIE (G), WILL KEEP THE SWITCH CORD (H) FROM CONTACTING THE MOTOR PULLEY OR BELT DURING OPERATION.

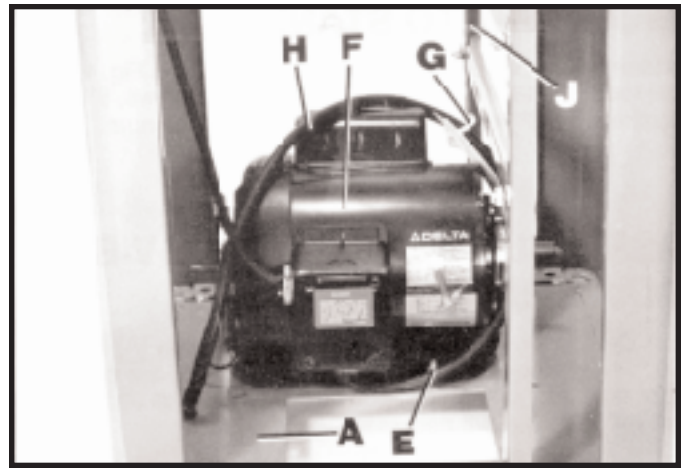


Fig. 10

## ASSEMBLING MOTOR TO STAND

1. To make the motor assembly easier, turn stand (A) Fig. 11, on its side with two horizontal bars (B) down as shown.

2. Position motor (C) Fig. 11, on two horizontal support bars (B) as shown, and fasten with four 3/4" long carriage bolts, two of which are shown at (D), and four flanged nuts. IMPORTANT: MAKE CERTAIN MOTOR SHAFT (E) IS ON THE SAME SIDE OF THE STAND AS THE LARGE OPENING IN THE TOP OF THE STAND BEFORE TIGHTENING CARRIAGE BOLTS (D). Further motor alignment will be necessary after band saw is fastened to stand.

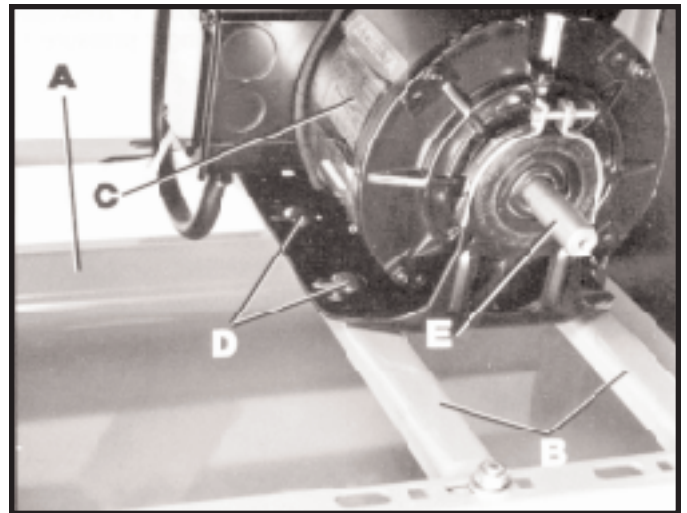


Fig. 11

3. Insert power cord plug (G) Fig. 12, through the bottom hole of the band saw stand to the outside of the stand.
4. Carefully turn the stand right side up.

IMPORTANT: Before assembling the band saw to the stand, we suggest that you place the stand (A) Fig. 13, onto the mobile base (B), with the foot pedal lever (C) in the raised position as shown, so the wheels (D) and rubber feet (E) are in full contact with the floor surface.

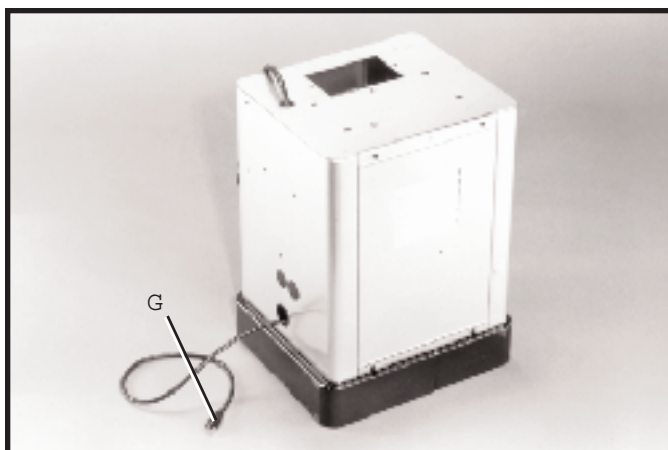


Fig. 12

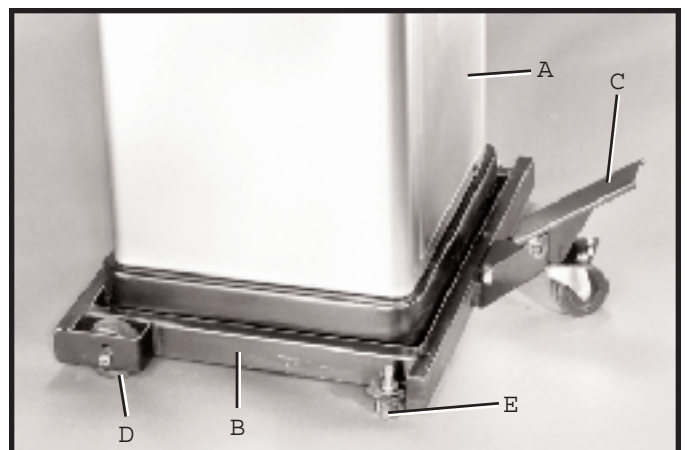


Fig. 13

# ASSEMBLING MOTOR PULLEY

Assemble motor pulley (A) Fig. 14, to the motor shaft making certain set screw (B) in the motor pulley engages with key (C) in motor shaft.

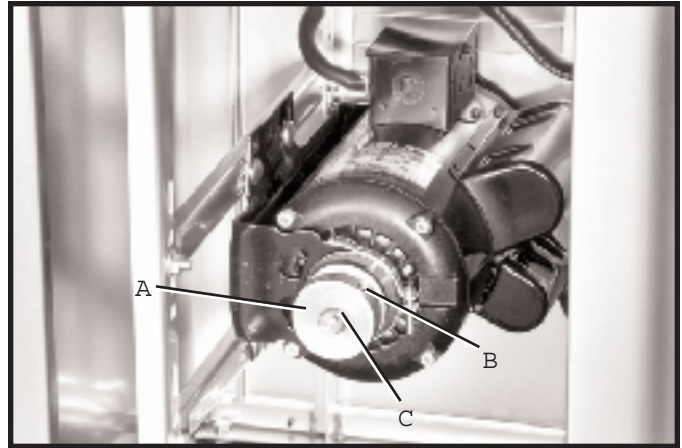


Fig. 14

# ASSEMBLING BAND SAW TO STAND

1. Carefully place the band saw (A) Fig. 15, onto the band saw stand (B). NOTE: Position the band saw so the pulley (C) is over the opening (D) in the stand.

2. Align the four holes in the base of the band saw with the four mounting holes in the top of the stand and fasten the band saw to the stand with four 5/16-18 x 1-3/4 hex head screws, three of which are shown at (E) Fig. 15, with flat washers and flange nuts.

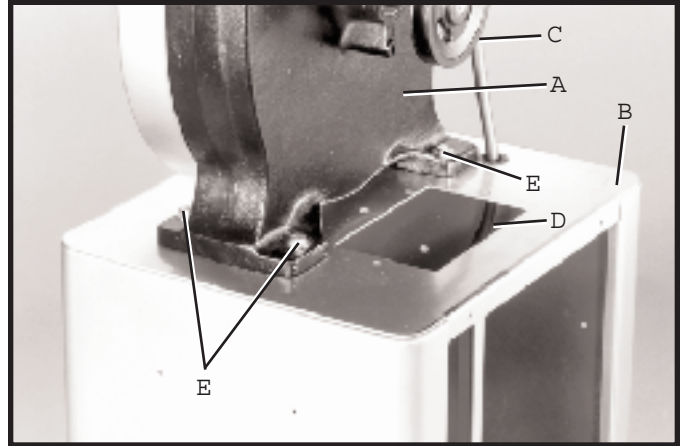


Fig. 15

# ASSEMBLING AND ALIGNING V-BELT; ADJUSTING BELT TENSION

1. Using a straight edge, align motor pulley (A) Fig. 16, to the driven pulley (B). If necessary, both pulleys can be adjusted inward or outward. The motor (C) can also be adjusted on the motor mounting bars (D).

2. Assemble the V-belt (E) Fig. 16, to pulleys (A) and (B) and adjust the belt tension by raising or lowering the motor (C) on the motor mounting bars (D). If necessary, the motor mounting bars (D) can be repositioned on two vertical posts (F). NOTE: Make certain the pulleys are kept in alignment when doing this. Correct belt tension is obtained when there is approximately 1" deflection, using light finger pressure at the centerspan of the pulleys.

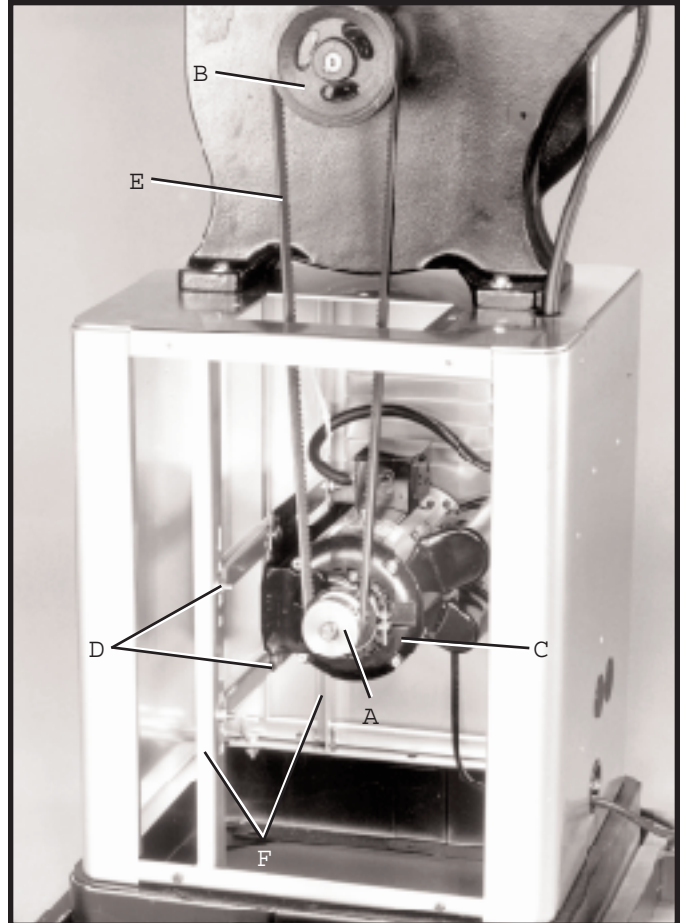


Fig. 16



# ASSEMBLING BELT AND PULLEY GUARD

Assemble belt and pulley guard (A) Fig. 17, to the top of the stand and surrounding the driven pulley with two 3/4-20 x 5/8 hex head screws, flat washers and hex nuts (B).

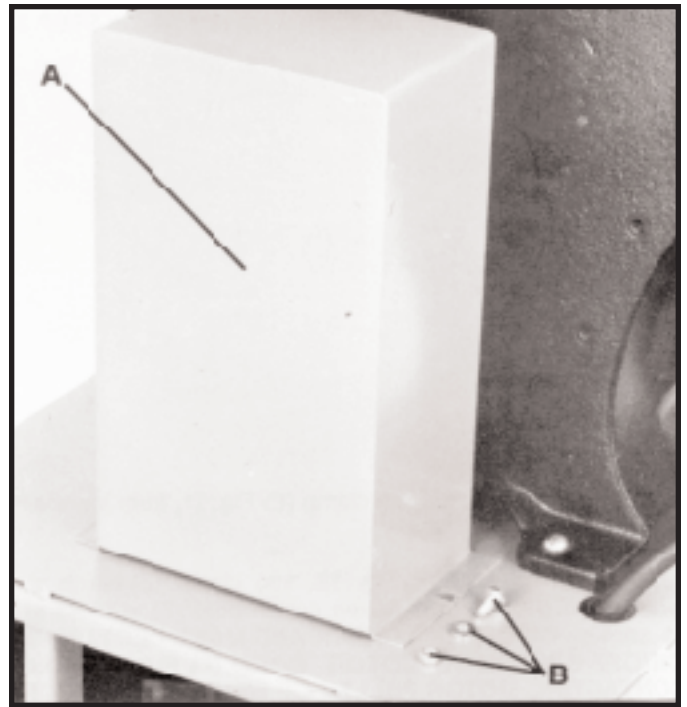


Fig. 17

# ASSEMBLING SWITCH

1 MAKE CERTAIN THE BAND SAW IS DISCONNECTED FROM THE POWER SOURCE.

2 CAUTION: THE ON/OFF SWITCH-TO-MOTOR CORD (F) FIG. 18, IS TIED TO VERTICAL MOUNTING POST (G) OPPOSITE THE MOTOR PULLEY. THIS CABLE TIE (H) PREVENTS THE SWITCH-TO-MOTOR CORD (F), FROM CONTACTING THE BELT OR MOTOR PULLEY DURING OPERATION. IMPORTANT: DO NOT REMOVE THIS CABLE TIE UNLESS YOU ARE USING THE ACCESSORY #28-984 HEIGHT ATTACHMENT WITH THE BAND SAW .

3 Remove two outer hex nuts and lock washers (A) Fig. 19, from the two screws extending out from the back of the switch box (B).

4 Insert two screws (C) Fig. 19, located on back of switch box, into two holes (D) located in the band saw arm.

5 Fasten the switch box (B) to the band saw arm using two hex nuts and lockwashers (A) Fig. 20, which were removed in STEP 3.

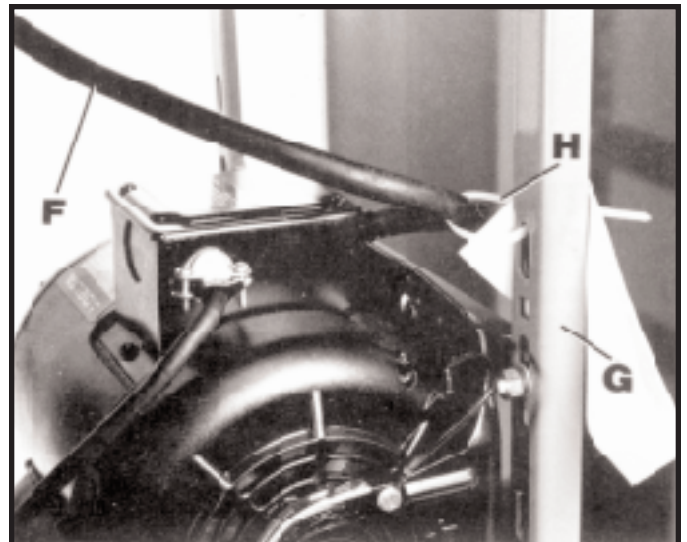


Fig. 18

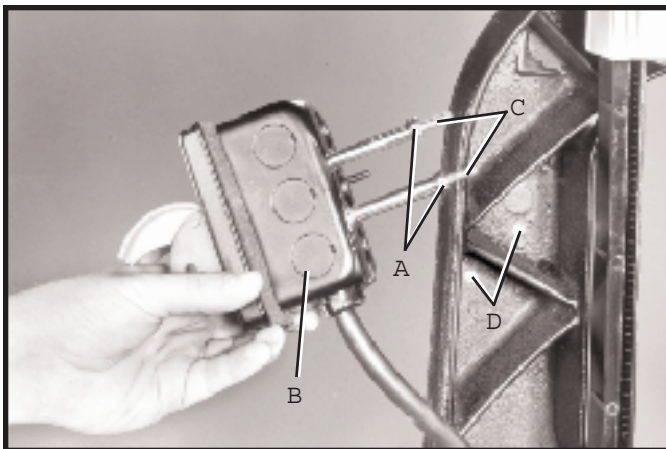


Fig. 19

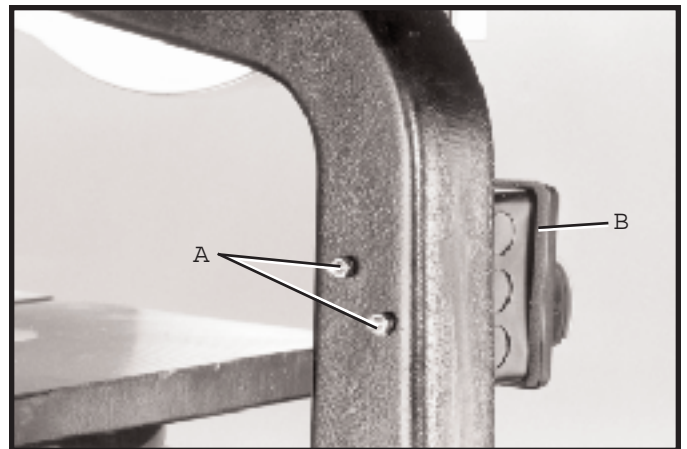


Fig. 20

6. Remove screw and cable clamp (E) Fig. 21, from lower arm of band saw.

7. Insert switch cord (F) Fig. 21, into clamp (E) which was removed in STEP 6, and fasten switch cord (F) to band saw as shown. IMPORTANT: CHECK AND MAKE CERTAIN THE ON/OFF SWITCH-TO-MOTOR CORD (F) FIG. 18, IS NOT CONTACTING MOTOR PULLEY OR BELT. ADJUST CORD (F) FIG. 18, IF NECESSARY, THEN TIGHTEN CABLE TIE (H).

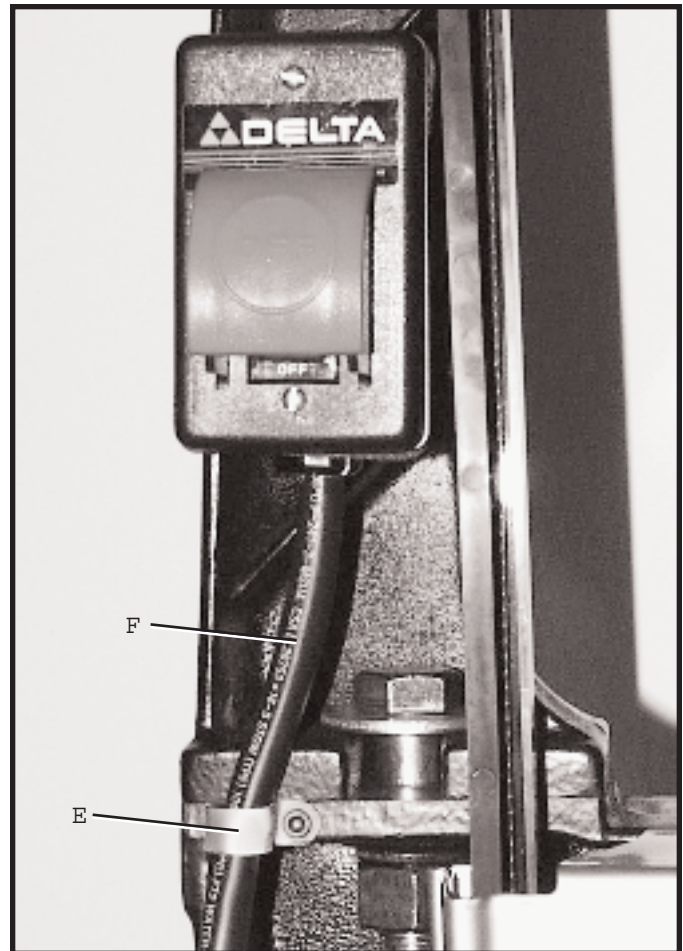


Fig. 21

## ASSEMBLING RIP FENCE

1. MAKE CERTAIN THE MACHINE IS DISCONNECTED FROM THE POWER SOURCE.

2. Assemble rear guide rail (A) Fig. 22, to band saw table using 1/4-28 x 1 hex socket head screws (B), at locations (C). Do not completely tighten hardware at this time.

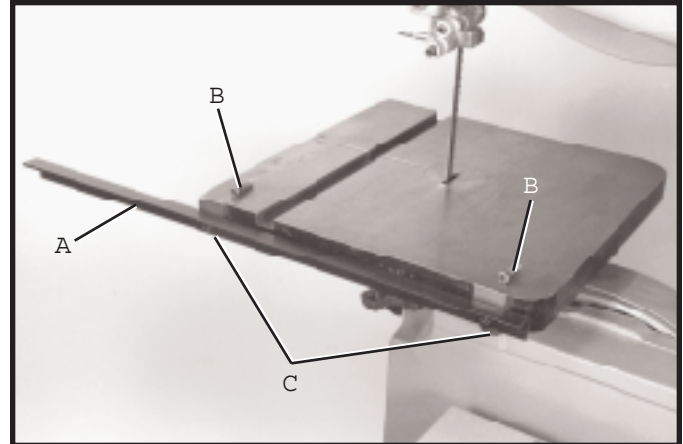


Fig. 22

3. Assemble front guide rail (D) Fig. 23, to band saw table using 1/4-28 x 1-1/4 hex socket head screws (E), and spacers (F), at locations (G). Position spacers between table and guide rail.

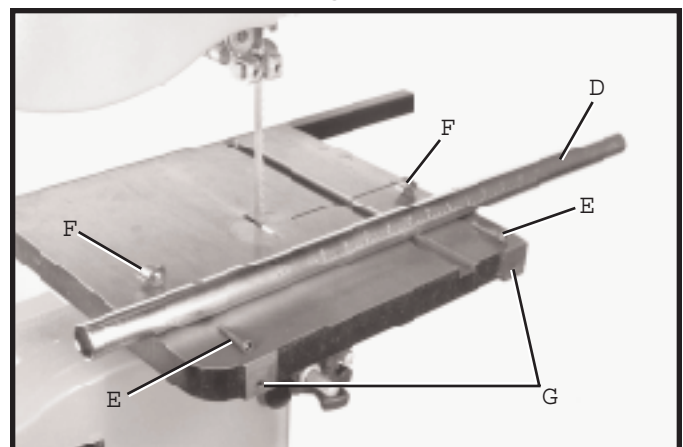


Fig. 23

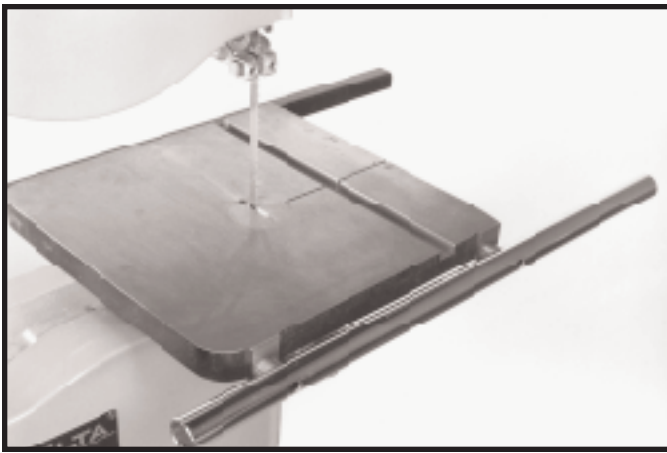


Fig. 24

4 Fig. 24, illustrates the front and rear guide rails mounted to the band saw table.

5 Insert fence assembly (H) Fig. 25, onto front guide rail (D). NOTE: Fence assembly (H) will clamp to the front guide rail only, and simply rest on the rear guide rail.

6 Determine if the gap between the bottom of fence (H) Fig. 26, and the top of the saw table is the same across the entire length of fence. Fig. 26, illustrates a fence which is improperly adjusted. If an adjustment is necessary, the rear fence rail (A) Figs. 26 and 27, has vertical slots to allow for height adjustments

7 Fig. 27, illustrates a properly adjusted fence (H). Tighten screws (C) Figs. 26 and 27, after adjustments are made.

8 Position the fence assembly (H) Fig. 28, at one edge of the miter gage slot (J), as shown. Tighten knob (K). Check to see that the fence assembly is parallel to the miter gage slot. If an adjustment is necessary, loosen two hex head screws (L), and adjust fence assembly so it is parallel to the miter gage slot. Tighten screws (L).

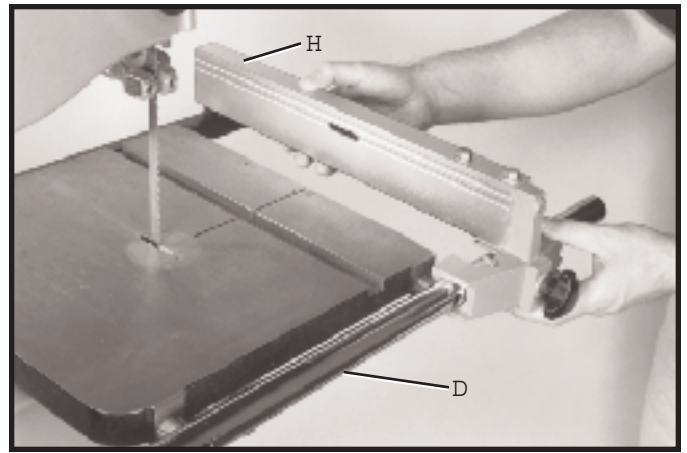


Fig. 25

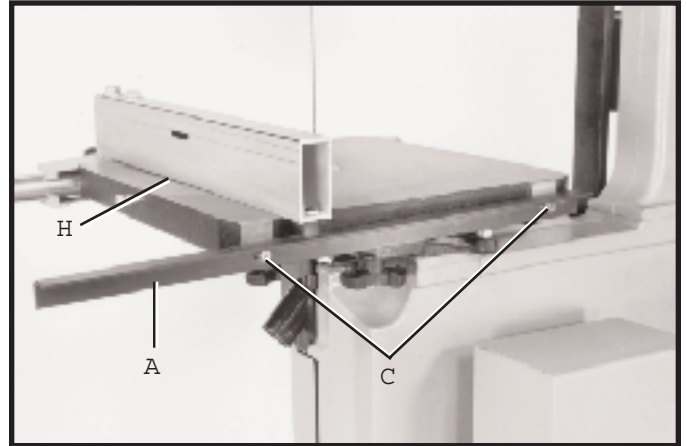


Fig. 26

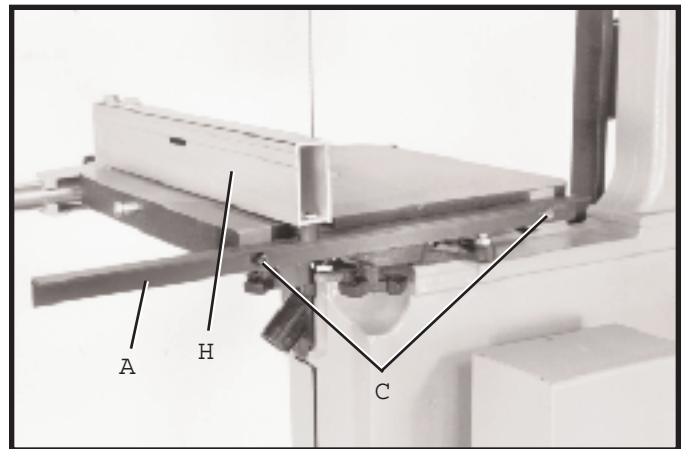


Fig. 27

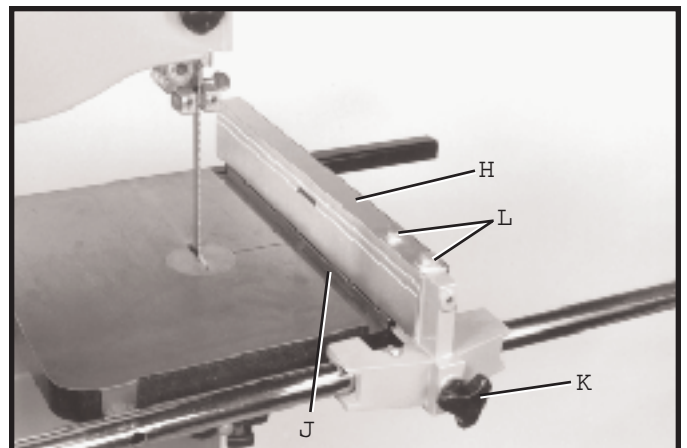


Fig. 28

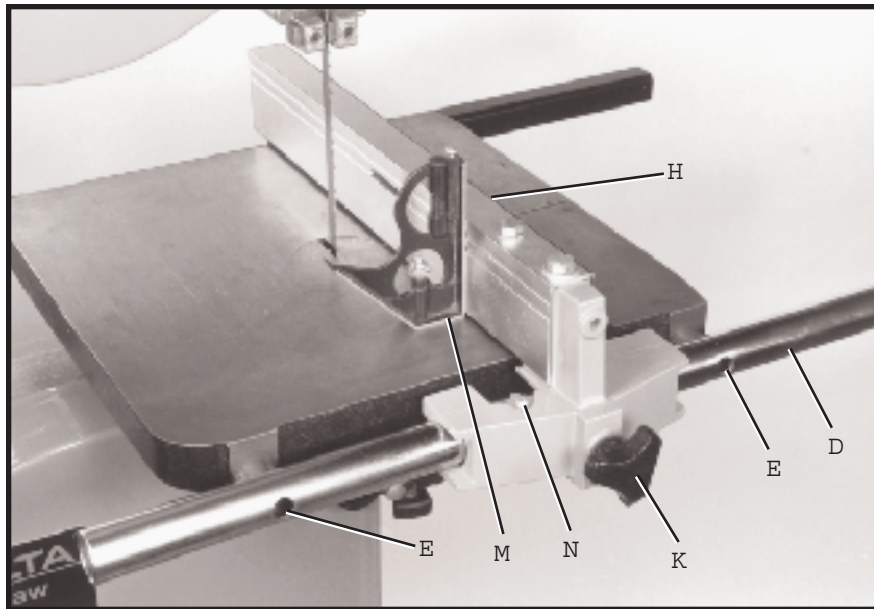


Fig. 29

9. Position a combination square (M) Fig. 29, against the side of fence assembly (H), as shown. Tighten knob (K). Check to see that the fence assembly is perpendicular to the band saw table. If an adjustment is necessary, loosen two hex socket head screws (E), and adjust the position of front guide rail (D). Tighten screws (E).

10. Position the fence assembly (H) Fig. 29, against the saw blade. Tighten knob (K). Check to see that the pointer (N) is aligned with the 0 (zero) marking on the front guide rail (D). If an adjustment is necessary, loosen the pointer screw and adjust the pointer. Tighten pointer screw.

## CONNECTING BAND SAW TO POWER SOURCE

### POWER CONNECTIONS

A separate electrical circuit should be used for your tools. This circuit should not be less than #12 wire and should be protected with a 20 Amp fuse. Have a certified electrician replace or repair a worn cord immediately. Before connecting the motor to a power line, make sure the switch is in the OFF position and be sure that the electric current is of the same characteristics as stamped on the motor nameplate. Running on low voltage will damage the motor.

WARNING: DO NOT EXPOSE THE TOOL TO RAIN OR OPERATE THE TOOL IN DAMP LOCATIONS.

### MOTOR SPECIFICATIONS

Your saw is wired for 110-120 volt, 60 HZ alternating current. Before connecting the saw to the power source, make sure the switch is in the OFF position.

# GROUNDING INSTRUCTIONS

CAUTION: THIS TOOL MUST BE GROUNDED WHILE IN USE TO PROTECT THE OPERATOR FROM ELECTRIC SHOCK.

In the event of a malfunction or breakdown, grounding provides a path of least resistance for electric current to reduce the risk of electric shock. The motor is equipped with an electric cord having an equipment-grounding conductor and a grounding plug. The plug must be plugged into a matching outlet that is properly installed and grounded in accordance with all local codes and ordinances.

Do not modify the plug provided - if it will not fit the outlet, have the proper outlet installed by a qualified electrician.

Improper connection of the equipment-grounding conductor can result in risk of electric shock. The conductor with insulation having an outer surface that is green with or without yellow stripes is the equipment-grounding conductor. If repair or replacement of the electric cord or plug is necessary, do not connect the equipment grounding conductor to a live terminal.

Check with a qualified electrician or service personnel if the grounding instructions are not completely understood, or if in doubt as to whether the tool is properly grounded.

Use only 3-wire extension cords that have 3-prong grounding type plugs and 3-hole receptacles that accept the tool's plug, as shown in Fig. 30.

Repair or replace damaged or worn cord immediately.

This tool is intended for use on a circuit that has an outlet and a plug that looks like the one shown in Fig. 30. A temporary adapter, which looks like the adapter illustrated in Fig. 31, may be used to connect this plug to a 2-pole receptacle, as shown in Fig. 31, if a properly grounded outlet is not available. The temporary adapter should be used only until a properly grounded outlet can be installed by a qualified electrician. THIS ADAPTER IS NOT APPLICABLE IN CANADA. The green-colored rigid ear, lug, and the like, extending from the adapter must be connected to a permanent ground, such as a properly grounded outlet box, as shown in Fig. 31.

CAUTION: IN ALL CASES, MAKE CERTAIN THE RECEPTACLE IN QUESTION IS PROPERLY GROUNDED. IF YOU ARE NOT SURE, HAVE A CERTIFIED ELECTRICIAN CHECK THE RECEPTACLE.

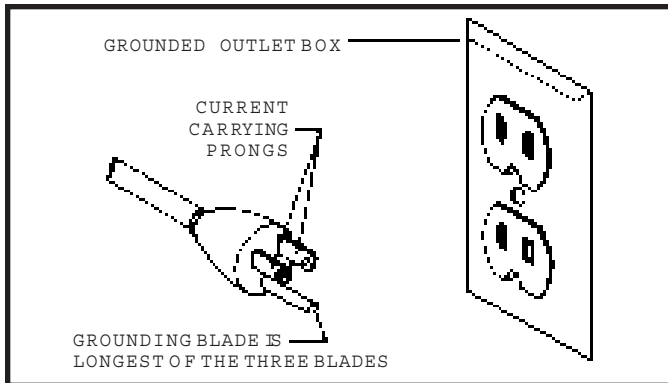


Fig. 30

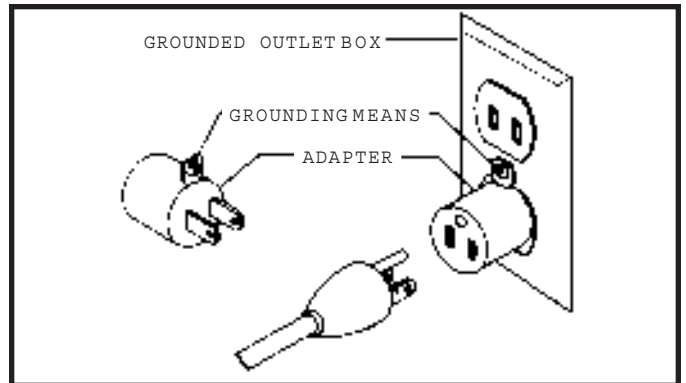


Fig. 31

## EXTENSION CORDS

Use proper extension cords. Make sure your extension cord is in good condition and is a 3-wire extension cord which has a 3-prong grounding type plug and a 3-hole receptacle which will accept the tool's plug. When using an extension cord, be sure to use one heavy enough to carry the current of the band saw. An undersized cord will cause a drop in line voltage resulting in loss of power and overheating. Fig. 32 shows the correct size to use depending on cord length. If in doubt, use the next heavier gage. The smaller the gage number, the heavier the cord.

TOTAL LENGTH OF CORD IN FEET	GAGE OF EXTENSION CORD TO USE
0 - 25	16 AWG
26 - 50	16 AWG
51 - 100	14 AWG
101 - 150	12 AWG

Fig. 32

# OPERATING CONTROLS AND ADJUSTMENTS

## STARTING AND STOPPING THE SAW

1. The on/off switch is located under the switch shield (A) Fig. 33. To turn the band saw ON , move switch trigger (B) upward to the ON position.

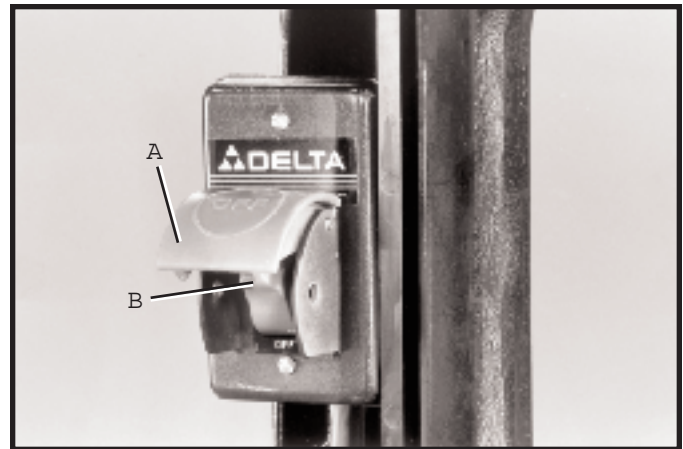


Fig. 33

2. To turn the band saw OFF , simply push down on the switch shield (A) Fig. 34.

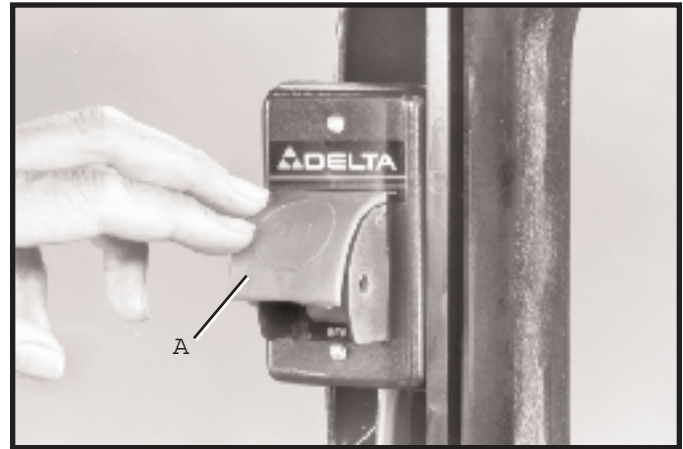


Fig. 34

## LOCKING SWITCH IN THE OFF POSITION

We suggest that when the band saw is not in use, the on/off switch trigger be locked in the OFF position using a padlock (C) Fig. 35, through the two holes in the switch plate, as shown in Fig. 35. NOTE: Padlock shown is available as accessory model 50-325.



Fig. 35

## TABLE INSERT

Place table insert (A) Fig. 36, into the hole provided in the table surface, making certain the pin (B) in the table engages one of the indents in the table insert.

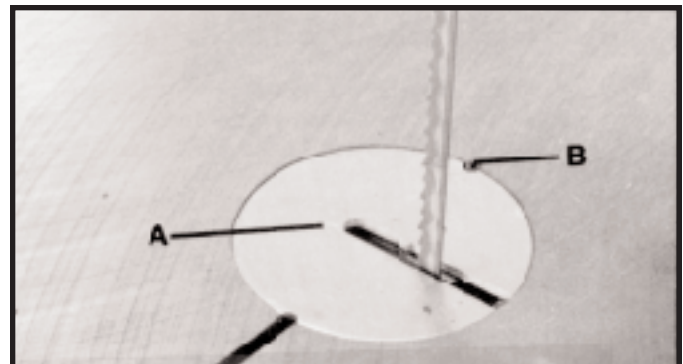


Fig. 36

## TILTING THE TABLE

1. The table on the band saw can be tilted 45 degrees to the right and 10 degrees to the left. To tilt the table to the right, loosen two locking knobs (A) Fig. 37, tilt the table to the desired angle as shown on scale (D), and tighten two locking knobs (A).

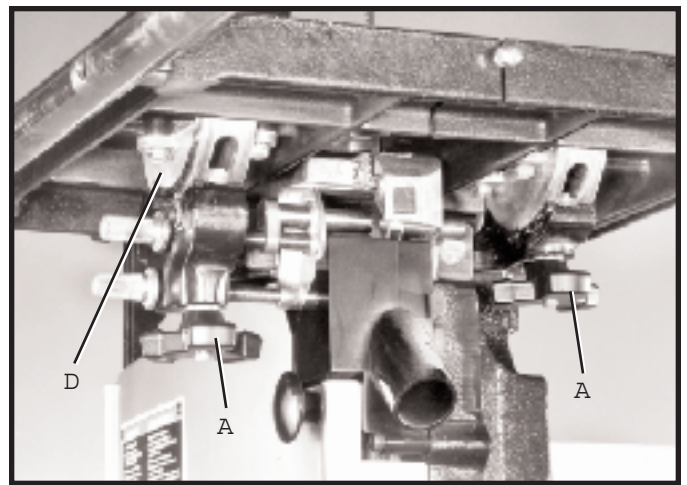


Fig. 37

2. To tilt the table to the left, loosen two locking knobs (A) Fig. 37, and tilt the table slightly to the right until you can gain access to table stop (B) Fig. 38. Remove table stop (B) Fig. 38, and tilt the table to the left angle up to 10 degrees and tighten two locking knobs (A) Fig. 37.

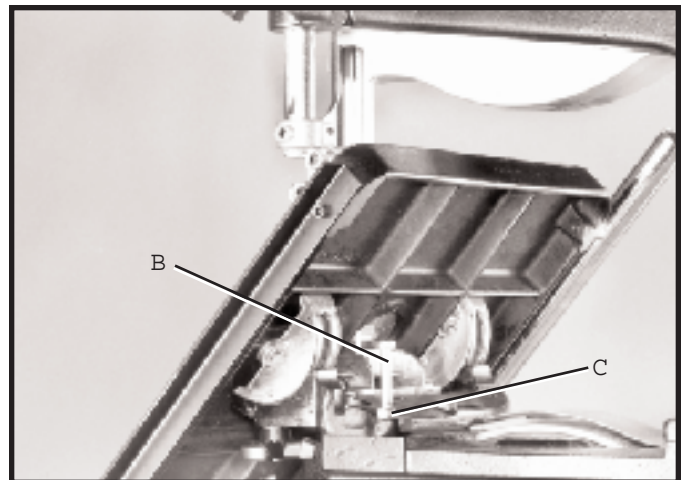


Fig. 38

## ADJUSTING TABLE STOP

The band saw is equipped with an adjustable table stop (B) Fig. 38, that allows the table to be set perfectly at 90 degrees with the blade.

Tilt the table to the left until the table stop (B) Fig. 38, contacts the bottom of the table. Place a square on the table and against the blade as shown in Fig. 39, and check to see if the blade is 90 degrees to the table surface. If an adjustment is necessary, proceed as follows:

1. Tilt the table slightly to the right and tighten table lock knobs.
2. Turn adjustment nut (C) Fig. 38, right or left as necessary to raise or lower table stop (B).
3. Lower the table and make certain the table is 90 degrees to the blade as shown in Fig. 39.
4. It is necessary to remove the adjustable table stop (B) Fig. 38, when tilting the table to the left.

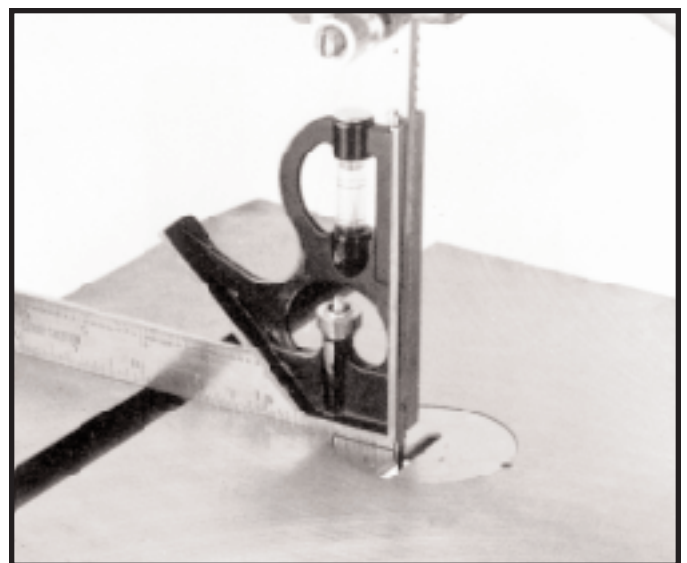


Fig. 39

# ADJUSTING BLADE TENSION

DISCONNECT MACHINE FROM POWER SOURCE.

On the back of the upper wheel slide bracket, there is a series of graduations. These indicate the proper tension for various widths of blades. With the blade on the wheels, turn the knob (A) Fig. 40, to raise or lower the wheel, until the red fiber washer (B) is in line with the proper graduation for the size of blade being used.

The graduations will be found correct for average work, and are not affected by rebracing of the saw blade. We urge you to use these graduations until you have become familiar enough with the operation of the Band Saw to vary the tension for different kinds of blades or work. Over-straining is a common cause of blade break-age and other unsatisfactory blade performance. Release the tension when the machine is not in use.

# TRACKING THE BLADE

DISCONNECT MACHINE FROM POWER SOURCE.

**IMPORTANT:** Before tracking the blade, make sure the blade guides and blade support bearings are clear of the blade so as not to interfere with the tracking adjustment.

After tension has been applied to the blade, revolve the wheels slowly forward by hand and watch the blade (A) Fig. 41, to see that it travels in the center of the upper tire. If the blade begins to creep toward the front edge, loosen the wing nut (B) Fig. 42, and tighten the thumb screw (C). This will tilt the top of the wheel toward the back of the machine and will draw the blade toward the

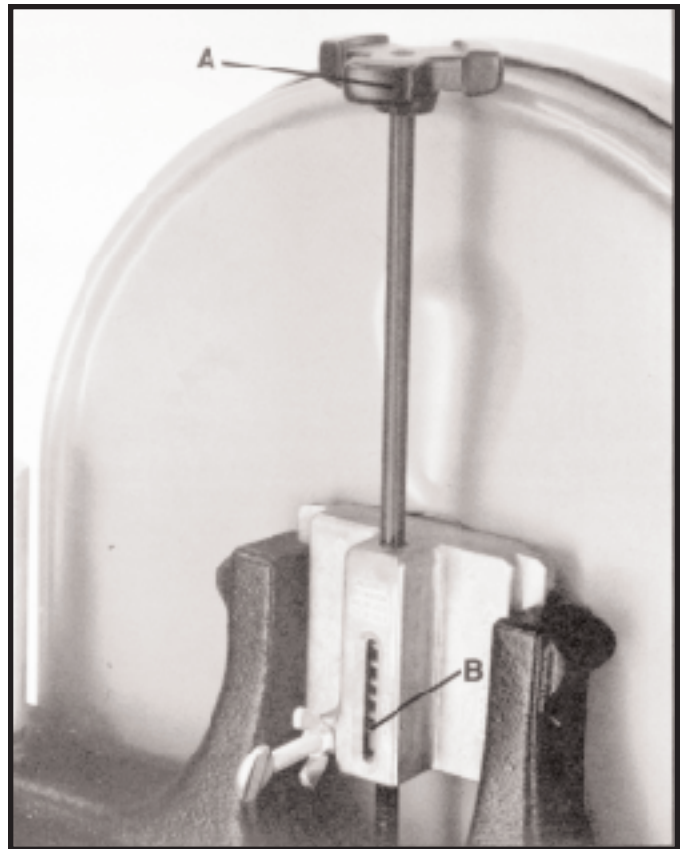


Fig. 40

center of the tire. If the blade creeps toward the back edge, turn the thumb screw in the opposite direction. Adjust the thumb screw (C) Fig. 42, only a fraction of a turn at a time. NEVER TRACK THE BLADE WHILE THE MACHINE IS RUNNING. After the blade is tracking in the center of the tires, tighten the wing nut (B) Fig. 42.

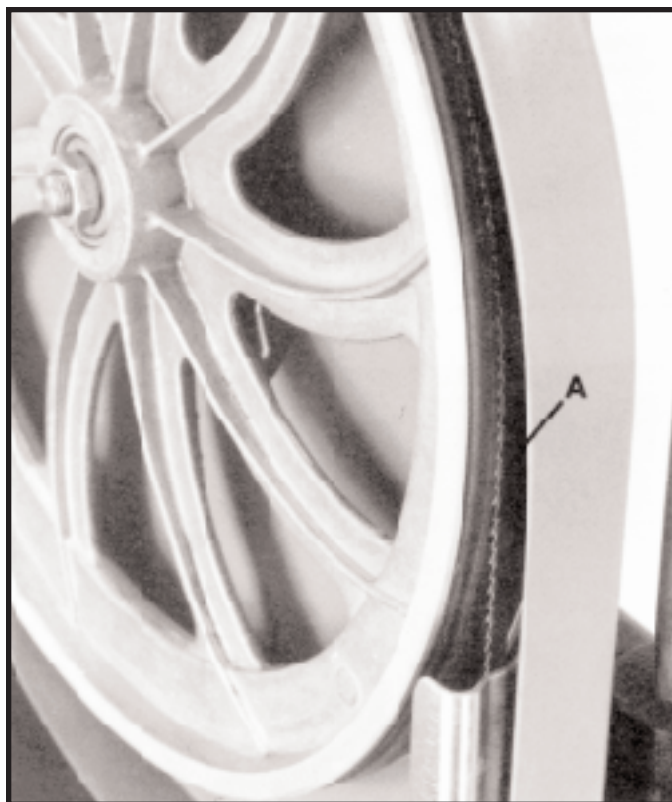


Fig. 41

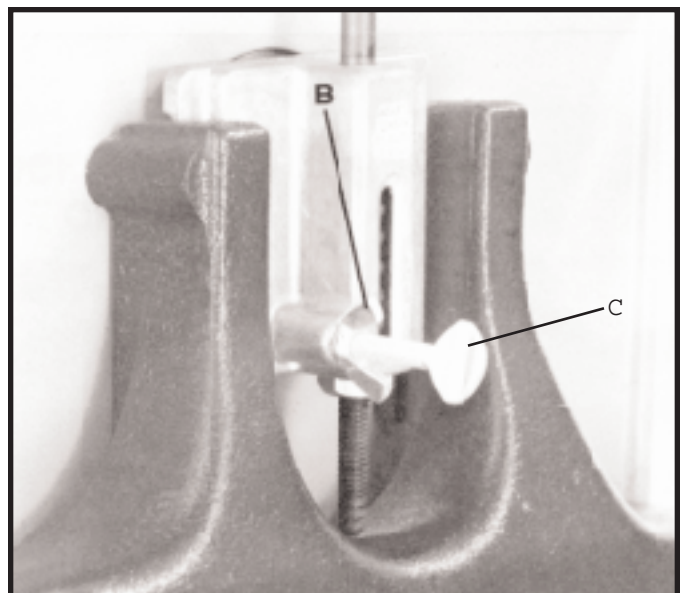


Fig. 42



## ADJUSTING UPPER BLADE GUIDE ASSEMBLY

DISCONNECT MACHINE FROM POWER SOURCE .

The upper blade guide assembly (A) Fig. 43, should always be set as close as possible to the top surface of the material being cut by loosening lock knob (B) and moving the guide assembly (A) to the desired position.

The upper blade guide assembly should also be adjusted so that the blade guides (A) Fig. 44, are flat with the blade. If an adjustment is necessary, loosen screw (B) and rotate the complete guide assembly (C) until the blade guides are flat with the blade.

## ADJUSTING UPPER BLADE GUIDES AND BLADE SUPPORT BEARING

DISCONNECT MACHINE FROM POWER SOURCE .

The upper blade guides and blade support bearings are adjusted only after the blade is tensioned and tracking properly. To adjust proceed as follows:

1. The upper blade guides (A) Fig. 45, are held in place by means of the set screws (B). Loosen the set screws (B) to move the guides (A) as close as possible to the side of the blade, being careful not to pinch the blade. Then tighten the screws (B).
2. The guides (A) Fig. 45, should then be adjusted so that the front edge of the guides are just behind the gullets of the saw teeth. The complete guide block bracket can be moved in or out by loosening thumb screw (C) and turning knurled knob (D) Fig. 45. When guides (A) are set properly, tighten thumb screw (C).
3. The upper blade support bearing (E) Fig. 45, prevents the blade from being pushed too far to the rear which could damage the set in the saw teeth. The support bearing (E) should be set  $\frac{1}{64}$  behind the blade by loosening thumb screw (F) and turning knurled knob (G) to move the support bearing (E) in or out.
4. The blade support bearing (E) should also be adjusted so the back edge of the blade overlaps the outside diameter of the ball bearing by about  $\frac{1}{16}$ . The bearing (E) is set on an eccentric and to change position remove screw (H) and bearing (E) Fig. 45. Loosen thumb screw (F), back out screw (G) and re-position shaft that bearing (E) is attached to.

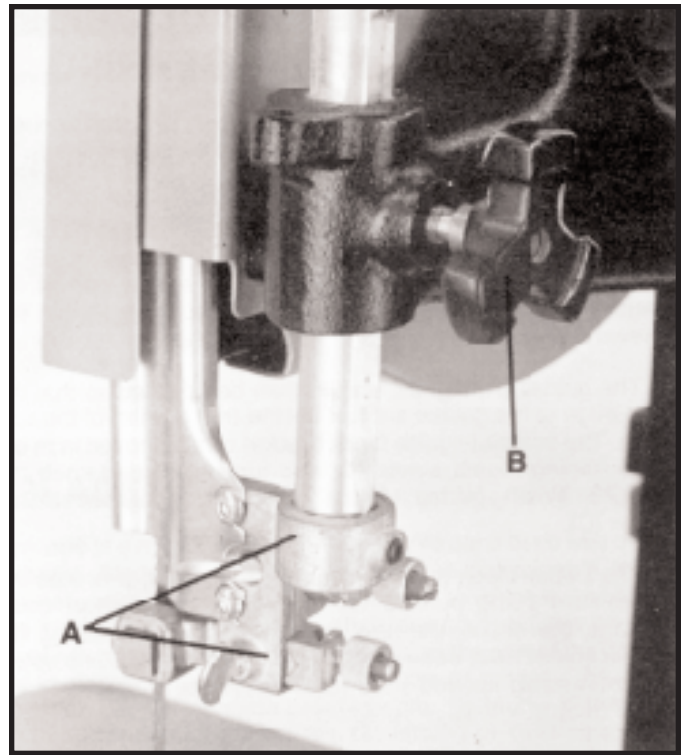


Fig. 43

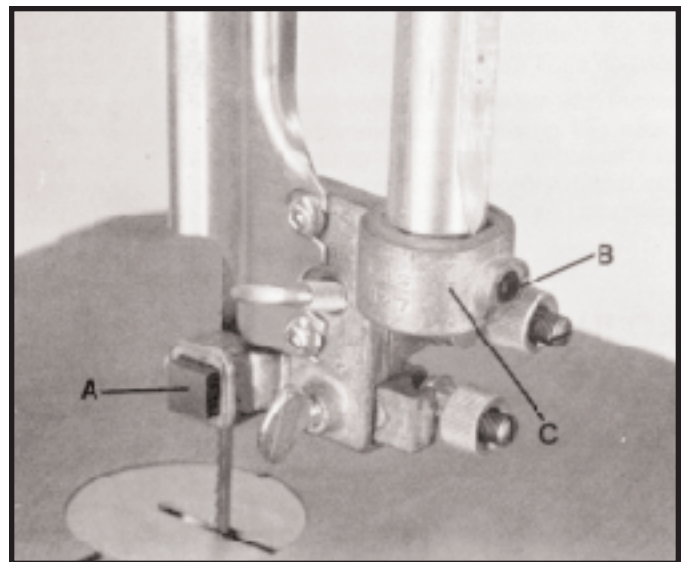


Fig. 44

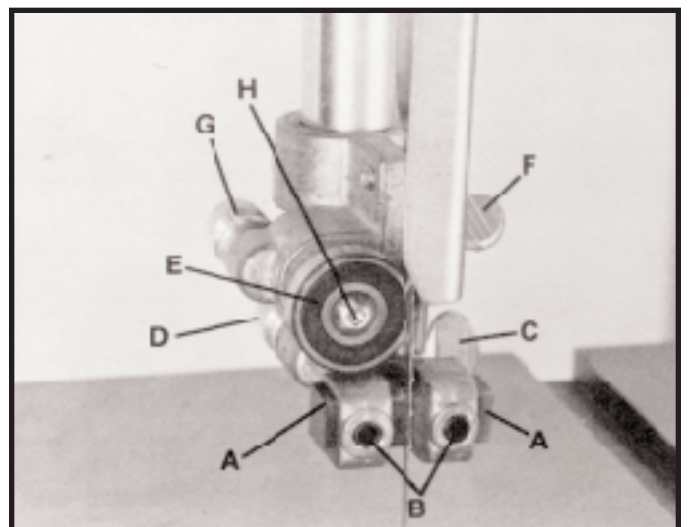


Fig. 45

## ADJUSTING LOWER BLADE GUIDES AND BLADE SUPPORT BEARING

DISCONNECT MACHINE FROM POWER SOURCE.

The lower blade guides and blade support bearing should be adjusted at the same time as the upper guides and bearing as follows:

1. Loosen the two screws (A) Fig. 46, and move the guides (B) as close as possible to the side of the blade, being careful not to pinch the blade. Then tighten screws (A).
2. The front edge of the guide blocks (B) should be adjusted so they are just behind the gullets of the saw teeth by turning the knurled knob (C) Fig. 46.
3. The lower blade support bearing (D) Fig. 46, should be adjusted so it is about  $1/64$  behind the back of the blade by turning the knurled knob (E).

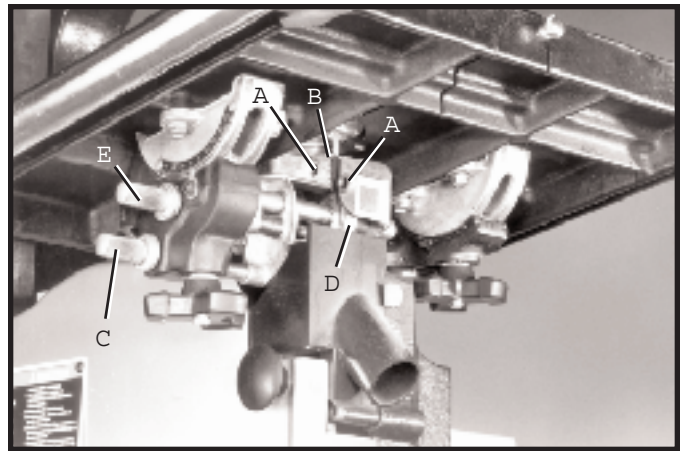


Fig. 46

---

## CHANGING THE BLADE

MAKE CERTAIN THE MACHINE IS DISCONNECTED FROM THE POWER SOURCE.

NOTE: Blades for the 14 band saw are 93-1/2 in length

1. Open the upper and lower wheel guards.
2. Release tension on the band saw blade.
3. Remove the table adjustment pin and table insert.
4. Slide the saw blade off the wheel and guide it out through the slot in the table.
5. To install the new saw blade, reverse the above procedure. NOTE: Blade teeth should be pointing downward at the front of the table.

---

## BAND SAW BLADES

A band saw blade is a delicate piece of steel that is subjected to tremendous strain. You can obtain long use from a band saw blade if you give it fair treatment. Be sure you use blades of the proper thickness, width, and temper for the various types of material to be cut.

Always use the widest blade possible. Use the narrow blades only for sawing small, abrupt curves and for fine delicate work. This will save blades and will produce better work. Band saw blades may be purchased, welded, set and sharpened ready for use. For cutting wood and similar materials, we can supply them in widths of  $1/8$ ,  $3/16$ ,  $1/4$ ,  $3/8$ ,  $1/2$ , and  $3/4$  inches.

File and set the wood cutting blades whenever you find it requires pressure to make them cut. If a blade is broken it can be brazed or welded; however, if it has become badly work-hardened, it will soon break in another place. If you are not equipped to file, set and braze or weld blades, take them to a saw filer for reconditioning. Under average conditions, blades should be resharpened after 4 hours of operation.

Any one of a number of conditions may cause a band

saw blade to break. Blade breakage is, in some cases, unavoidable, being the natural result of the peculiar stresses to which such blades are subjected. It is, however, often due to avoidable causes, most often to lack of care or judgment on the part of the operator in mounting or adjusting the blade or guides. The most common causes of blade breakage are: (1) faulty alignments and adjustments of the guides; (2) forcing or twisting a wide blade around a curve of short radius; (3) feeding too fast; (4) dullness of the teeth or absence of sufficient set; (5) excessive tightening of the blade; (6) top guide set too high above the work being cut; (7) using a blade with a lumpy or improperly finished braze or weld; and (8) continuous running of the saw blade when not in use for cutting.

New blades for the standard 14-inch Band Saw are 93-1/2 inches long. The adjustment will accommodate blades up to a maximum length of 94 inches and to a minimum length of 91-1/2 inches. When equipped with the No. 28-984 Height Attachment, new blades should be 105 inches long; maximum and minimum lengths are 106 and 103-1/2 inches.

# OPERATING THE BAND SAW

Before starting the machine, see that all adjustments are properly made and the guards are in place. Turn the pulley by hand to make sure that everything is correct BEFORE turning on the power.

Keep the top guide down close to the work at all times. Do not force the material against the blade too hard. Light contact with the blade will permit easier following of the line and prevent undue friction, heating, and work-

hardening of the blade at its back edge.

KEEP THE SAW BLADE SHARP and you will find that very little forward pressure is required for average cutting. Move the stock against the blade steadily and no faster than will give an easy cutting movement.

Avoid twisting the blade by trying to turn sharp corners. Remember, you must saw around corners.

---

## CUTTING CURVES

When cutting curves, turn the stock carefully so that the blade may follow without being twisted. If a curve is so abrupt that it is necessary to repeatedly back up and cut a new kerf, either a narrow blade is needed or a blade with more set is required. The more set a blade has, the easier it will allow the stock to be turned, but the cut is usually rougher than where a medium amount of set is used.

In withdrawing the piece being cut, in order to change the cut, or for any other reason, the operator must be careful that he does not accidentally draw the blade off the wheels. In most cases it is easier and safer to turn the stock and saw out through the waste material, rather than try to withdraw the stock from the blade.

---

## RESAWING OPERATIONS

If a number of identically shaped thin pieces are required, the easiest way to make them is the resawing technique. In this operation the face of the rip fence can be used, or to have more control when working with irregular shaped

pieces, a guide post can be used on either side of the rip fence. To assemble the guide post to the rip fence, proceed as follows:

1. MAKE CERTAIN THE MACHINE IS DISCONNECTED FROM THE POWER SOURCE.
2. Thread knob (P) Fig. 47, onto 2 long screw (S) and tighten with a flat-bladed screwdriver.
3. Attach guide post (O) Fig. 48, to either side of rip fence assembly (H) with hand knob assembly (P). Position the guide post (O) on the fence assembly so it is centered with the front edge of the blade. This will provide better control while performing intricate cuts.
4. Fig. 49, illustrates a typical resawing operation using the guide post (O) assembled to the rip fence.

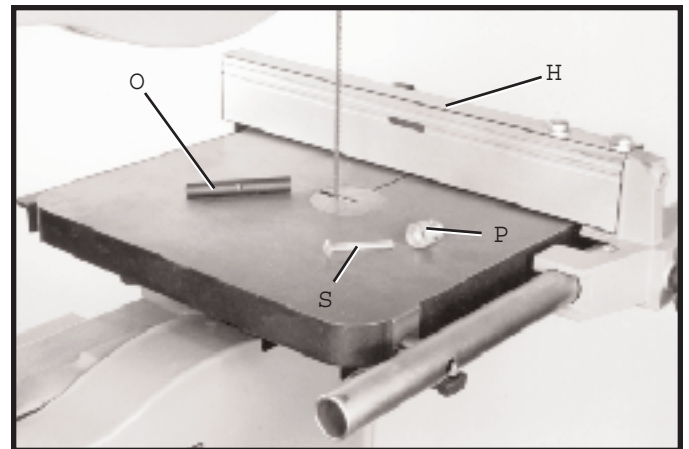


Fig. 47

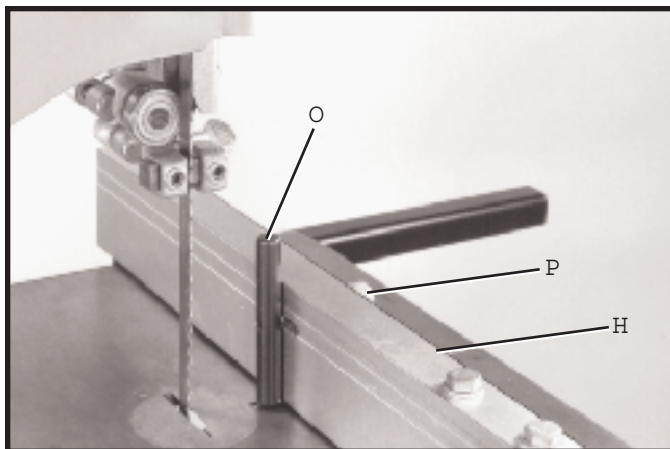


Fig. 48

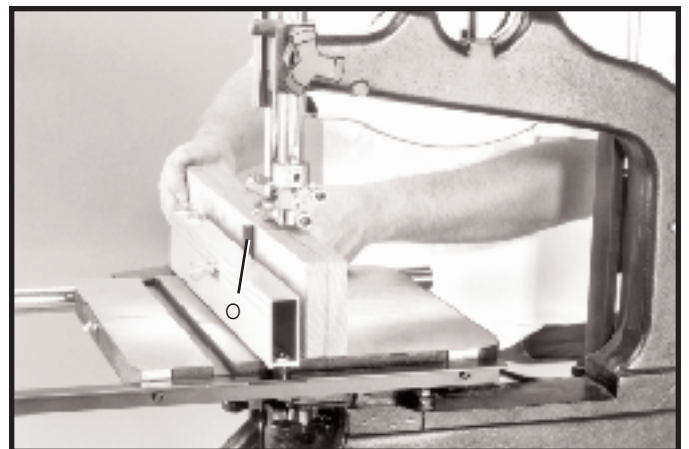


Fig. 49



## PARTS, SERVICE OR WARRANTY ASSISTANCE

All Delta Machines and accessories are manufactured to high quality standards and are serviced by a network of factory service centers and authorized service stations listed in your owner's manual. To obtain additional infor-

mation regarding your Delta quality product or to obtain parts, service or warranty assistance, please call or fax Delta's toll-free hotline number.

Delta maintains a modern, efficient Parts Distribution Center, maintaining an inventory of over 15,000 parts located in Memphis, Tennessee.

Highly qualified and experienced Customer Service Representatives are standing by to assist you on weekdays from 7:00 A.M. to 6:00 P.M. Memphis time.



Memphis, TN 38118  
4290 Raines Road  
Phone: (901) 363-8800

**HOTLINE**

800-223-PART  
FAX: 800-535-6488



### Delta Building Trades and Home Shop Machinery Two Year Limited Warranty

Delta will repair or replace, at its expense and at its option, any Delta machine, machine part, or machine accessory which in normal use has proven to be defective in workmanship or material, provided that the customer returns the product prepaid to a Delta factory service center or authorized service station with proof of purchase of the product within two years and provides Delta with reasonable opportunity to verify the alleged defect by inspection. Delta may require that electric motors be returned prepaid to a motor manufacturer's authorized station for inspection and repair or replacement. Delta will not be responsible for any asserted defect which has resulted from normal wear, misuse, abuse or repair or alteration made or specifically authorized by anyone other than an authorized Delta Service facility or representative. Under no circumstances will Delta be liable for incidental or consequential damages resulting from defective products. This warranty is Delta's sole warranty and sets forth the customer's exclusive remedy, with respect to defective products; all other warranties, express or implied, whether of merchantability, fitness for purpose, or otherwise, are expressly disclaimed by Delta.